



ECON® Ball valve Type: 1607ED Brass Pneumatic operated Double acting Internal thread (BSPP) PN25/40

Mounted pneumatically operated 2-way ball valve consisting of: Two-piece Econ® ball valve [type: 1607ISO] and double-acting pneumatic Econ® actuator [type: 7902].

The pneumatically operated 2-way ball valve is configured according to the following basic principles: Pneumatic pilot pressure at 6 bar, medium is water, medium temperature is max. 100°C, ball valve is actuated at least a few times daily, actuator structure according to Eriks standard.

Characteristics

Type: 1607ED
Norm: EN [DIN]
Construction type: 2-way
Housing construction: 2-part
Housing material: Brass
Material quality: CW617N
Surface protection: Nickel-plated
Connection: Internal thread [BSPP]
Actuator: Pneumatic operated
Operating principle: Double acting
Top flange standard: ISO 5211 Direct Mount
Primary spindle seal material: PTFE
Secondary spindle seal material: HNBR
Tertiary spindle seal material: PTFE
Body seal: PTFE
Actuator material: Aluminium
Minimum medium temperature (continuous): 0 °C
Maximum medium temperature (continuous): 130 °C
Fire safe: No

Application

- HVAC, water and compressed air systems.

Technical Information

- Connections with female threads in accordance with EN 10226-1 [ISO 7/1].
- Available in sizes ranging from 1/2" to 2".
- Pressure class PN40 for 0.5-1.25 inch and PN25 for 1.5-2 inch
- Actuator with multifunctional position indicator, suitable for mechanical limit switches or double proximity sensors.
- Air supply and upper flanged connection of drive in accordance with NAMUR VDI/VDE 3845.

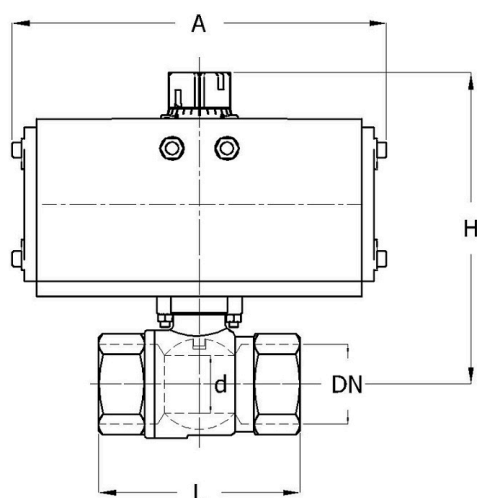
Construction

- Two-piece housing construction.
- Design in accordance with EN 13828.
- Full bore.
- Face-to-face dimension according to manufacturer's standard.

Options

- With single acting pneumatic drive, type 1607ES
- End of service life signalling through switch box or double sensor, type 79650 to 79659
- Positioner, type 3304
- Namur control valve, type 33580

Size table:



DN	d mm	L mm	H mm	A mm	Weight kg
1/2" [15]	15	75	114	100	0.82
3/4" [20]	20	80	116.5	100	0.91
1" [25]	25	90	140	145	1.94
1.1/4" [32]	32	110	151	145	2.27
1.1/2" [40]	40	120	176.5	158	3.26

Size	Pressure class	Pressure and temperature range			
		-20	90	130	[°C]
1/2" - 1.1/4"	PN40	40	25	16	[bar]
1.1/2" - 2"	PN25	25	15	10	[bar]

Nominal inner diameter	Standard thread connection	Pressure rating	Face to Face norm	Type coding actuator	Brand actuator	Bore	Material ball	Seat material	Spindle material	Article
1/2" [15]	ISO 7/1 Rp	PN40	Manufacturer standard	DA10	ECON	Full bore	CW614N chromed	PTFE	Brass	13475740
3/4" [20]	ISO 7/1 Rp	PN40	Manufacturer standard	DA10	ECON	Full bore	CW614N chromed	PTFE	Brass	13475741
1" [25]	ISO 7/1 Rp	PN40	Manufacturer standard	DA20	ECON	Full bore	CW614N chromed	PTFE	Brass	13475742
1.1/4" [32]	ISO 7/1 Rp	PN25	Manufacturer standard	DA20	ECON	Full bore	CW614N chromed	PTFE	Brass	13475753
1.1/2" [40]	ISO 7/1 Rp	PN25	Manufacturer standard	DA40	ECON	Full bore	CW614N chromed	PTFE	Brass	13475754

Disclaimer: The content of this document has been composed with the utmost care. However, it is possible that certain information changes over time, becomes inaccurate or incomplete. ERIKS does not guarantee that the information provided on this document is up to date, accurate and complete; the information provided is not intended to be advice. ERIKS shall never be liable for damage resulting from the use of the information provided.