



## ASCO Solenoid valve 2/2 Type: 32208 series 210D brass internal thread

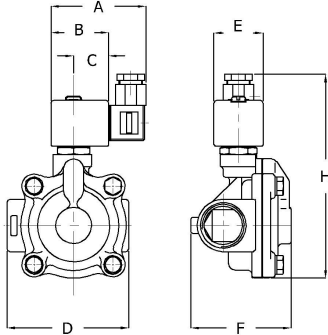
### Characteristics

**Series:** 210  
**Type:** 32208  
**Function:** Normally open (NO)  
**Actuation:** Indirect-acting  
**Electrical connection:** Plug EN 175301-803 type A  
**Max. viscosity:** 65 mm<sup>2</sup>/s  
**Housing material:** Brass  
**Sealing:** NBR  
**Material coil housing:** Epoxy  
**Material shorting ring:** Copper  
**Membrane material:** NBR

### Characteristics [2]

**Working time:** 100 %  
**Level of protection (IP value):** IP65  
**Explosion-proof:** No  
**SIL certified:** No  
**Medium temperature:** From -20 °C to 85 °C  
**Ambient temperature:** From -20 °C to 75 °C

### Size table:



| Orifice | Size | A  | B  | C  | D  | E  | F  | H   | Weight |
|---------|------|----|----|----|----|----|----|-----|--------|
| mm      |      | mm | mm | mm | mm | mm | mm | mm  | kg     |
| 25      | 1"   | 91 | 56 | 33 | 95 | 50 | 79 | 165 | 2.1    |

| Size process connection | Process connection     | Orifice | Kvs value         | Minimum pressure difference | Maximum pressure difference | Coil type  | Supply voltage | Power                      | Starting power | Article  |
|-------------------------|------------------------|---------|-------------------|-----------------------------|-----------------------------|------------|----------------|----------------------------|----------------|----------|
|                         |                        | mm      | m <sup>2</sup> /h | bar                         | bar                         |            |                |                            |                |          |
| 1" [25]                 | Internal thread [BSPP] | 25      | 5.7               | 0.35                        | 16                          | 400525-101 | 24V AC         | 15.4 W / 33.6 VA           | 110 VA         | 14545546 |
| 1" [25]                 | Internal thread [BSPP] | 25      | 5.7               | 0.35                        | 16                          | 400625-142 | 24V DC         | 12 W [hot] - 16.8 W [cold] |                | 14545548 |
| 1" [25]                 | Internal thread [BSPP] | 25      | 5.7               | 0.35                        | 16                          | 400525-117 | 230V AC        | 15.4 W / 33.6 VA           | 110 VA         | 14545547 |

Disclaimer: The content of this document has been composed with the utmost care. However, it is possible that certain information changes over time, becomes inaccurate or incomplete. ERIKS does not guarantee that the information provided on this document is up to date, accurate and complete; the information provided is not intended to be advice. ERIKS shall never be liable for damage resulting from the use of the information provided.